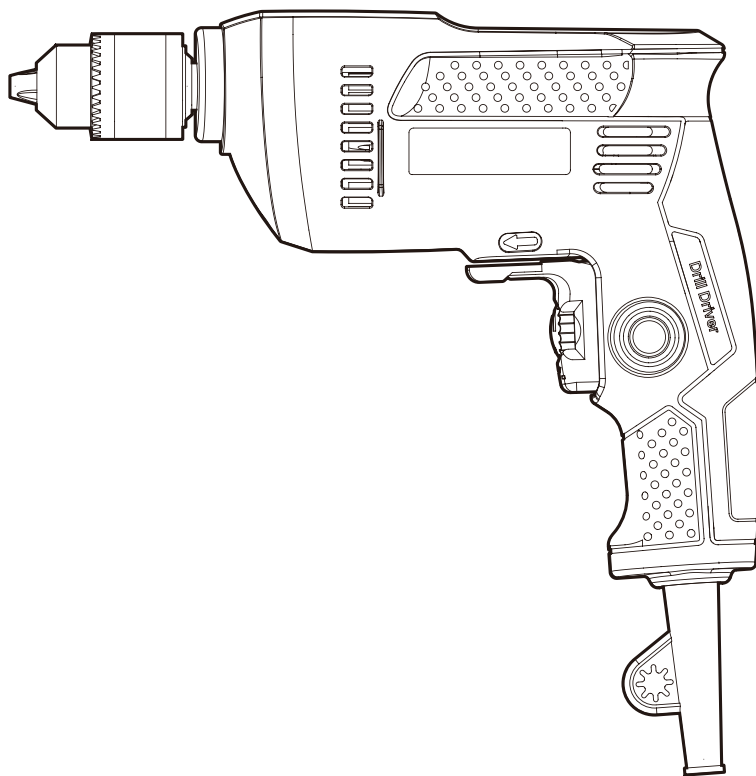


deli

DC174



EN Electric drill
ID Bor listrik

















Specifications

Model	DC174 DC174X ...
Rated voltage/frequency	220-240V~ 50/60Hz
Rated input power	380W
No-load speed	3000rpm
Maximum chuck capacity	10mm
Safety class	□/II
Machine weight	1.3kg

- The manufacturer reserves the right to change the specifications without notice.
- Specifications may differ from country to country.

It is recommended to select the accessories from the store the power tool is bought. Please select the correct accessories required for your job. Please refer to the accessories package to get more methods and help for use.

Symbols

 Read the manual	 Warning sign	 Double insulation	 Please wear protective glasses
 Please wear protective earmuffs	 Please wear protective glasses	 Please wear protective mask	 Do not put it into the water
 Wood	 Metal	 Screwdriver	 Do not put it into the fire
 Customs union certificate	 Drill hole	 High speed	 Lock

ORIGINAL INSTRUCTIONS

General power tool safety warnings

WARNING Read all safety warnings, instructions, illustrations and specifications provided with this power tool. Failure to follow all instructions listed below may result in electric shock, fire and/or serious injury.

Save all warnings and instructions for future reference. The term "power tool" in the warnings refers to your mains-operated (corded) power tool or battery-operated (cordless) power tool.

Work area safety

1. **Keep work area clean and well lit.** Cluttered or dark areas invite accidents.
2. **Do not operate power tools in explosive atmospheres,** such as in the presence of flammable liquids, gases or dust. Power tools create sparks which may ignite the dust/fumes.

3. **Keep children and bystanders away while operating a power tool.** Distractions can cause you to lose control.

Electrical safety

1. **Power tool plugs must match the outlet. Never modify the plug in any way.** Do not use any adapter plugs with earthed (grounded) power tools. Unmodified plugs and matching outlets will reduce risk of electric shock.
2. **Avoid body contact with earthed or grounded surfaces, such as pipes, radiators, ranges and refrigerators.** There is an increased risk of electric shock if your body is earthed or grounded.
3. **Do not expose power tools to rain or wet conditions.** Water entering a power tool will increase the risk of electric shock.
4. **Do not abuse the cord. Never use the cord for carrying, pulling or unplugging the power tool.** Keep cord away from heat, oil, sharp edges

or moving parts. Damaged or entangled cords increase the risk of electric shock.

5. **When operating a power tool outdoors, use an extension cord suitable for outdoor use.** Use of a cord suitable for outdoor use reduces the risk of electric shock.
6. **If operating a power tool in a damp location is unavoidable, use a residual current device (RCD) protected supply.** Use of an RCD reduces the risk of electric shock.

Personal safety

1. **Stay alert, watch what you are doing and use common sense when operating a power tool.** Do not use a power tool while you are tired or under the influence of drugs, alcohol or medication. A moment of inattention while operating power tools may result in serious personal injury.
2. **Use personal protective equipment. Always wear eye protection.** Protective equipment such as a dust mask, non-skid safety shoes, hard hat or hearing protection used for appropriate conditions will reduce personal injuries.
3. **Prevent unintentional starting.** Ensure the switch is in the off-position before connecting to power source and/or battery pack, picking up or carrying the tool. Carrying power tools with your finger on the switch or energising power tools that have the switch on invites accidents.
4. **Remove any adjusting key or wrench before turning the power tool on.** A wrench or a key left attached to a rotating part of the power tool may result in personal injury.
5. **Do not overreach.** Keep proper footing and balance at all times. This enables better control of the power tool in unexpected situations.
6. **Dress properly.** Do not wear loose clothing or jewellery. Keep your hair and clothing away from moving parts. Loose clothes, jewellery or long hair can be caught in moving parts.
7. **If devices are provided for the connection of dust extraction and collection facilities, ensure these are connected and properly used.** Use of dust collection can reduce dust-related hazards.
8. **Do not let familiarity gained from frequent use of tools allow you to become complacent and ignore tool safety principles.** A careless action can cause severe injury within a fraction of a second.

Power tool use and care

1. **Do not force the power tool. Use the correct power tool for your application.** The correct power tool will do the job better and safer at the rate for which it was designed.
2. **Do not use the power tool if the switch does not turn it on and off.** Any power tool that cannot be controlled with the switch is dangerous and must be repaired.

3. **Disconnect the plug from the power source and/or remove the battery pack, if detachable, from the power tool before making any adjustments, changing accessories, or storing power tools.** Such preventive safety measures reduce the risk of starting the power tool accidentally.
4. **Store idle power tools out of the reach of children and do not allow persons unfamiliar with the power tool or these instructions to operate the power tool.** Power tools are dangerous in the hands of untrained users.
5. **Maintain power tools and accessories.** Check for misalignment or binding of moving parts, breakage of parts and any other condition that may affect the power tool's operation. If damaged, have the power tool repaired before use. Many accidents are caused by poorly maintained power tools.
6. **Keep cutting tools sharp and clean.** Properly maintained cutting tools with sharp cutting edges are less likely to bind and are easier to control.
7. **Use the power tool, accessories and tool bits etc. in accordance with these instructions, taking into account the working conditions and the work to be performed.** Use of the power tool for operations different from those intended could result in a hazardous situation.
8. **Keep handles and grasping surfaces dry, clean and free from oil and grease.** Slippery handles and grasping surfaces do not allow for safe handling and control of the tool in unexpected situations.

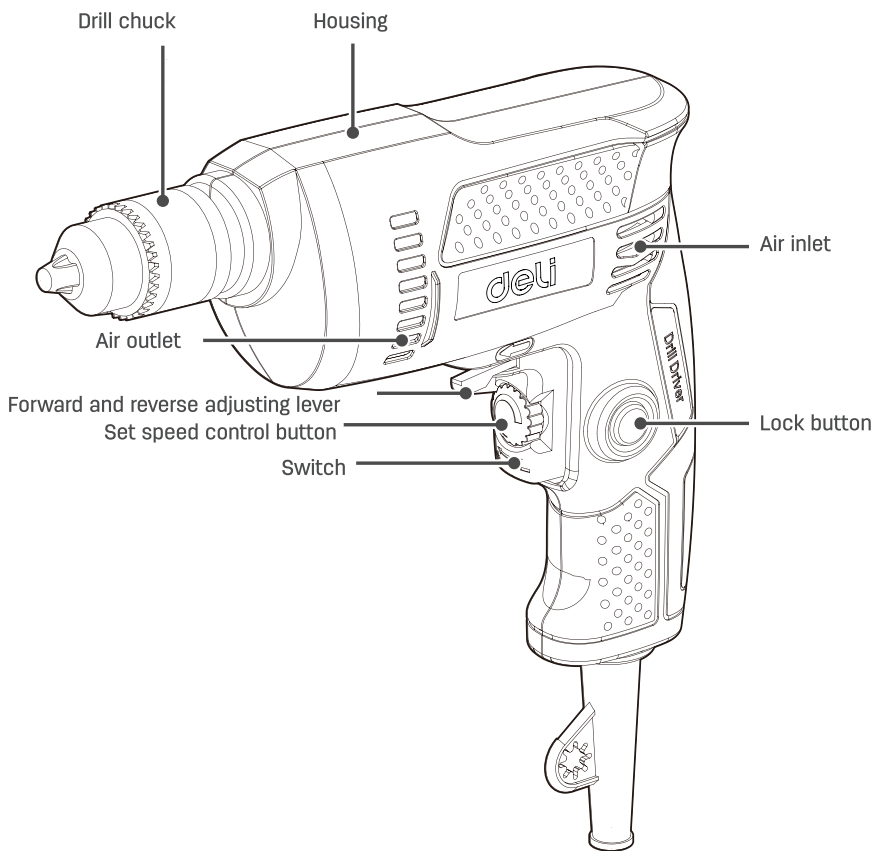
Service

1. **Have your power tool serviced by a qualified repair person using only identical replacement parts.** This will ensure that the safety of the power tool is maintained.

Additional safety instructions for Drill

General

Hold the power tool by insulated gripping surfaces, when performing an operation where the cutting accessory may contact hidden wiring or its own cord. Cutting accessory contacting a "live" wire may make exposed metal parts of the power tool "live" and could give the operator an electric shock.



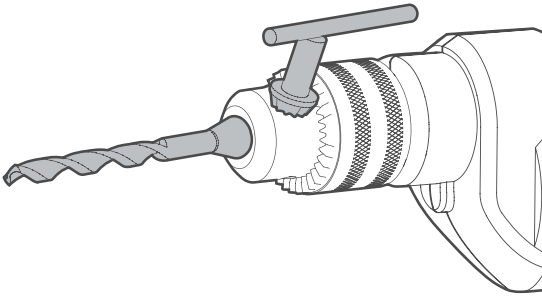
Operation Instructions

WARNING: Read the manual carefully before operation

Application: This drill is applicable for tightening and loosening screws as well as drilling in wood, metal and plastic.

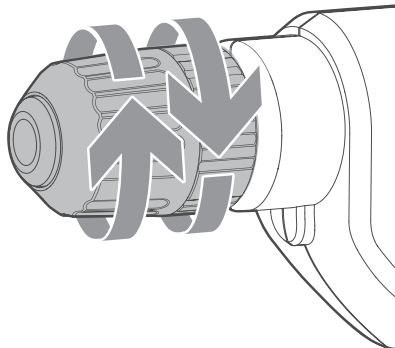
① Insert the tool into the chuck

Insert the tool and tighten all 3 holes evenly with the chuck opening key. (for chucks with keys only).



② Keyless chuck

Hold the rear axle ring of the keyless chuck and rotate the front one until the chuck is open enough to insert the tool. Insert the tool into the chuck. Hold the rear axle ring and manually rotate the front one until it is tightened. When the front axle ring is rotated in the opposite direction to remove the tool, the lock mechanism releases automatically.



3 Switch button

Press the button to start the tool and release it for stopping.

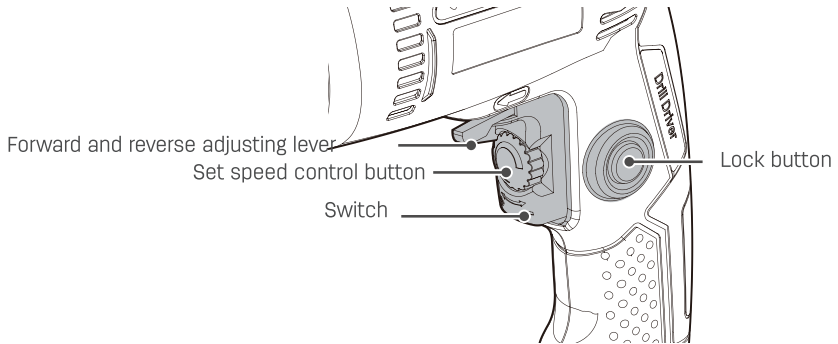
Switch lock-on button

Until on: Press the switch button, then press the lock-on button to lock and then the drill can be used continuously.

Off: Simply press and release the switch button to stop the tool.

Steering lever

The left shift of the steering lever indicates the forward rotation, and its right shift indicates the reverse rotation. Do not change the rotation direction during the rotation of the tool until it stops.



4 Variable speed control

Press the switch button to accelerate or decelerate depending on the material and accessories to be used (this can also be done during no-load operation). A higher speed will produce less torque and vice versa.

5 Tips for drilling operation

If the power tool is overheated, set the speed to maximum and idle run for 2-3 minutes to cool the motor.

During drilling in metal, only high-speed steel bits in good condition shall be used.

During using of short screwdriver bit, be sure to use magnetic drill sleeve.

Guide holes shall be used as much as possible before drilling larger diameter holes in metal materials.

Maintenance



Warning! Before performing any replacement work on the machine, be sure to pull out the plug first.

This power tool can maintain normal operation without applying lubricating oil or special maintenance. Please perform simple maintenance of the drill according to the following requirements.

1. Clean the machine with dry rag after use. Attention: Never use water or chemical cleaning agent to clean the machine, so as not to affect the performance of the machine enclosure or cause electric leakage and other accidents.
2. Always keep the air inlet of the motor clean and unobstructed to prevent debris from accumulating at the air inlet and affecting the cooling of the motor.
3. For power tools with type Y attachment: instruction that, if the replacement of the supply cord is necessary, this has to be done by the manufacturer or his agent in order to avoid a safety hazard.

In addition, try not to use it in dusty environment. If the power cord is damaged, in order to avoid danger, it must be replaced by the manufacturer, authorized maintenance center or equivalent qualified professionals.

Environmental protection



Disposal of waste

In order to respond to environmental protection, damaged machines, accessories and packaging materials must be sorted carefully for easy recycling. In order to facilitate sorting and recycling, all plastic parts are marked with materials.

Product Warranty Card

Dear users :

Thank you for buying our products. In order to ensure your profit, users who buy our products can contact local distributor or Specified repair stations with invoice and warranty cards if the product failures due to quality problems.

Warranty Notice:

1. From _____ (Year/Month/Day) to _____ (Year/Month/Day), If the failure happen in normal use, our company will provide free warranty, parts replacement and other services according to the failure situation.
2. This warranty card and purchase invoice are the voucher of after-sales service provided by our company to customers. The card must be detailed only after filling in the following form and affixing the official seal with the distributor.
3. In one of the following cases, free warranty service will be invalid, and maintenance fees will be required:
 - (1) Exceed the expiration date.
 - (2) Failure or damage caused by not following the requirements of the product manual, maintenance or improper storage.
 - (3) Failure or damage caused by disassembling, repairing or modification of the product without the permission of our company.
 - (4) Machine breakdown or damage caused by force majeure.
 - (5) Consumable accessories.

This card is issued with the product. One card for one machine, to ensure that you can fully enjoy the right to free warranty service provided by the company, please keep this card properly, lost will not be replaced.

Purchase Date: _____ (Year/Month/Day)

Product Certificate

Inspector:

01

Date of manufacture:

NINGBO DELI TOOLS CO., LTD.
No. 128 Chezhan West Road, Huangtan Town,
Ninghai County, Ningbo, Zhejiang, China
delitoolsglobal@nbdeli.com
www.delitoolsglobal.com
+86 574 87562689
MADE IN CHINA

Reserved for future use
Version: 1.0




Spesifikasi

Model	DC174 DC174X ...
Voltase/frekuensi terukur	220-240V~ 50/60Hz
Daya masuk terukur	380W
Kecepatan tanpa muatan	3000rpm
Kapasitas cekam maksimal	10mm
Kelas keamanan	□/II
Berat mesin	1.3kg

- Produsen berhak untuk mengubah spesifikasi tanpa pemberitahuan.
- Spesifikasi mungkin berbeda di setiap negara.

Direkomendasikan untuk memilih aksesoris dari toko tempat perkakas listrik tersebut dibeli. Harap memilih aksesoris tepat yang diperlukan untuk pekerjaan Anda. Harap melihat paket aksesoris untuk mengetahui metode dan bantuan penggunaan lainnya.

Simbol

 Baca panduan	 Tanda peringatan	 Insulasi ganda	 Harap kenakan kacamata pelindung
 Harap kenakan pelindung telinga	 Harap kenakan kacamata pelindung	 Harap kenakan pelindung wajah	 Jangan menaruhnya di air
 Kayu	 Obeng	 Kecepatan rendah	 Jangan menaruhnya di api
 Logam	 Lubang bor	 Kecepatan tinggi	 Kunci
 Sertifikat serikat pabean			

PETUNJUK ASLI

Peringatan keamanan perkakas listrik umum

PERINGATAN Baca semua peringatan keamanan, petunjuk, ilustrasi, dan spesifikasi yang disediakan bersama perkakas listrik ini. Tidak mengikuti semua petunjuk yang tercantum di bawah dapat menimbulkan sengatan listrik, api, dan/atau cedera parah.

Simpan semua peringatan dan petunjuk untuk referensi di masa mendatang. Istilah "perkakas listrik" di peringatan ini berarti perkakas listrik dengan daya dari stopkontak (berkabel) atau menggunakan baterai (tanpa kabel).

Keselamatan area kerja

1. Jaga kebersihan tempat kerja dan beri

penerangan yang cukup. Area yang berantakan dan redup dapat menimbulkan kecelakaan.

2. **Jangan mengoperasikan perkakas listrik di lingkungan yang mudah terbakar, seperti berada di dekat cairan, gas, atau debu yang mudah terbakar.** Perkakas listrik menimbulkan percikan yang dapat menyulut debu atau gas.
3. **Jauhkan dari anak-anak dan orang di sekitar selagi mengoperasikan perkakas listrik.** Beralihnya perhatian dapat menyebabkan Anda kehilangan kendali.

Keselamatan listrik

1. **Steker perkakas listrik harus sesuai dengan stopkontak. Jangan mengubah steker. Jangan menggunakan steker adaptor dengan perkakas listrik yang dibumikan (memiliki arde).** Steker asli

- dan stopkontak yang cocok akan mengurangi risiko sengatan listrik.
- Hindari menyentuh permukaan yang dibumikan atau yang dipasang arde, seperti pipa, radiator, kompor oven, dan kulkas.** Risiko sengatan listrik meningkat jika tubuh Anda menyentuh permukaan yang dibumikan.
 - Jangan sampai perkakas listrik terkena hujan atau kondisi yang basah.** Air yang masuk ke perkakas listrik akan meningkatkan risiko sengatan listrik.
 - Jangan menyalahgunakan kabelnya. Jangan gunakan kabel untuk membawa, menarik, atau mencabut perkakas listrik. Jauhkan kabel dari panas, minyak, benda tajam, atau bagian yang bergerak.** Kabel yang rusak atau terlilit akan meningkatkan risiko sengatan listrik.
 - Saat mengoperasikan perkakas listrik di luar ruangan, gunakan kabel ekstensi yang cocok untuk penggunaan luar ruangan.** Penggunaan kabel yang cocok untuk penggunaan luar ruangan mengurangi risiko sengatan listrik.
 - Jika pengoperasian perkakas listrik di lokasi lembap tidak terhindarkan, gunakan catu daya yang dilindungi perangkat arus residual (Residual Current Device/RCD).** Penggunaan RCD mengurangi risiko sengatan listrik.

Keselamatan pribadi

- Tetap waspada, perhatikan apa yang Anda lakukan dan gunakan akal sehat saat mengoperasikan perkakas listrik. Jangan menggunakan perkakas listrik saat Anda lelah atau dalam pengaruh obat, alkohol, atau pengobatan.** Hilangnya konsentrasi saat mengoperasikan perkakas listrik dapat menyebabkan cedera parah.
- Gunakan alat pelindung diri. Selalu gunakan pelindung mata.** Menggunakan alat pelindung seperti masker debu, sepatu keselamatan antislip, helm pengaman, atau pelindung telinga untuk kondisi yang sesuai akan mengurangi cedera pribadi.
- Hindari menyalakan perkakas dengan tidak sengaja. Pastikan sakelar dalam kondisi mati sebelum menghubungkan ke sumber listrik dan/atau paket baterai, mengambil, atau membawa perkakas.** Membawa perkakas listrik dengan posisi jari pada sakelar atau menancapkan perkakas listrik yang sakelarnya dalam posisi nyala dapat menimbulkan kecelakaan.
- Singkirkan kunci pas sebelum menyalakan perkakas listrik.** Kunci pas yang terpasang pada bagian berputar perkakas listrik dapat menimbulkan cedera.
- Jangan menjangkau terlalu jauh. Jaga selalu posisi kaki dan keseimbangan.** Hal ini memungkinkan kontrol yang lebih baik pada perkakas listrik dalam situasi yang tidak terduga.

- Kenakan pakaian yang sesuai. Jangan mengenakan pakaian longgar atau perhiasan. Jauhkan rambut dan pakaian dari bagian yang bergerak.** Pakaian longgar, perhiasan, atau rambut panjang dapat tersangkut pada komponen yang bergerak.
- Jika perkakas dipasang sambungan perangkat penghisap dan pengumpul debu, pastikan perangkat terhubung dan digunakan dengan benar.** Penggunaan pengumpul debu dapat mengurangi bahaya terkait debu.
- Jangan sampai lengah karena sering menggunakan perkakas sehingga meremehkan dan mengabaikan prinsip keselamatan perkakas.** Tindakan ceroboh dapat menyebabkan cedera parah dalam sepersekian detik.

Penggunaan dan perawatan perkakas listrik

- Jangan memaksa perkakas listrik. Gunakan perkakas listrik yang sesuai untuk aplikasi Anda.** Perkakas listrik yang sesuai akan menyelesaikan pekerjaan lebih baik dan aman pada laju sesuai rancangannya.
- Jangan gunakan perkakas listrik jika sakelarnya tidak menyalakan atau mematikan perkakas.** Perkakas listrik mana pun yang tidak dapat dikontrol dengan sakelar menimbulkan bahaya dan harus diperbaiki.
- Cabut steker dari stopkontak dan/atau lepas paket baterai, jika dapat dilepas, dari perkakas listrik sebelum menyesuaikan, mengganti aksesoris, atau menyimpan perkakas listrik.** Tindakan pencegahan seperti itu mengurangi risiko penyalakan perkakas listrik yang tidak disengaja.
- Simpan perkakas listrik yang tidak digunakan jauh dari jangkauan anak-anak dan jangan biarkan orang yang tidak berpengalaman dengan perkakas listrik atau petunjuk ini mengoperasikan perkakas.** Perkakas listrik berbahaya di tangan orang yang tidak terlatih.
- Rawat perkakas listrik dan aksesorinya. Periksa ketidakselarasan atau lengkungan pada bagian yang bergerak, kerusakan komponen, dan kondisi lainnya yang dapat memengaruhi pengoperasian perkakas listrik. Jika rusak, perkakas listrik harus diperbaiki sebelum digunakan.** Banyak kecelakaan yang disebabkan perkakas listrik yang tidak terawat.
- Jaga peralatan memotong tetap tajam dan bersih.** Peralatan memotong yang terawat dengan tepi yang tajam jarang tersangkut dan mudah dikendalikan.
- Gunakan perkakas listrik, aksesoris, mata peralatan, dll. sesuai dengan petunjuk ini dengan memperhatikan kondisi lingkungan kerja dan pekerjaan yang akan dilakukan.** Menggunakan perkakas listrik untuk pengoperasian yang berbeda dari yang ditujukan dapat menimbulkan

situasi berbahaya.

8. **Jaga gagang dan permukaan genggam tetap kering, bersih, dan bebas oli serta gemuk.**

Gagang dan permukaan genggam yang licin tidak memberikan penanganan dan kontrol perkakas yang aman di situasi yang tidak terduga.

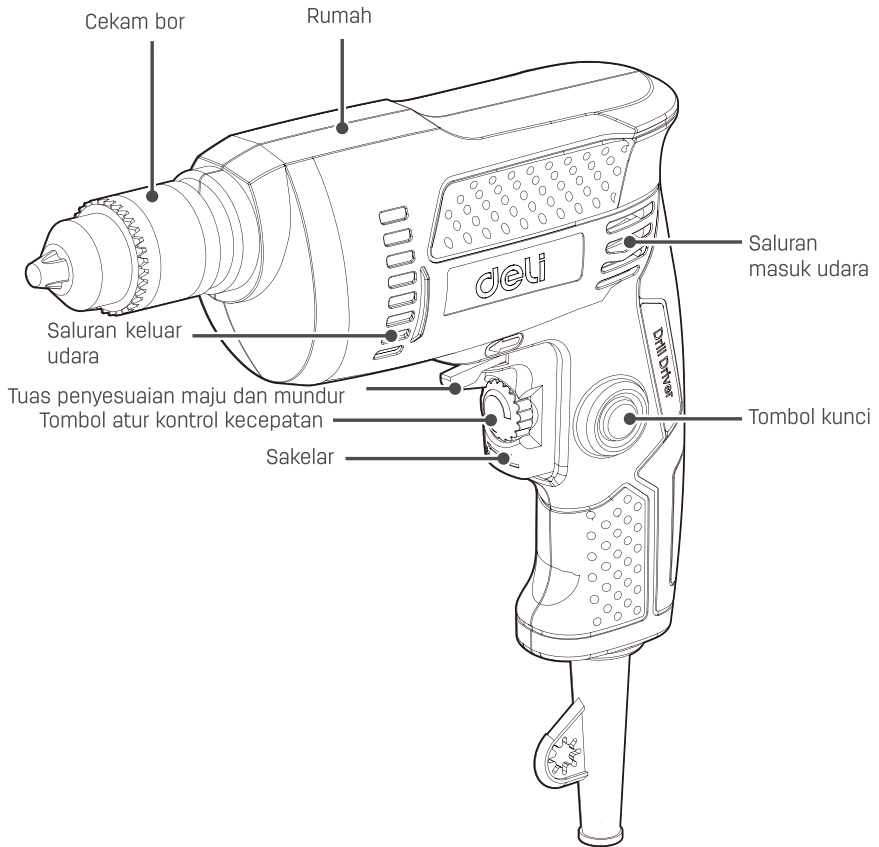
Servis

1. **Mintalah perkakas listrik Anda diservis oleh teknisi yang memenuhi syarat dengan hanya menggunakan suku cadang pengganti yang sama.** Hal ini akan memastikan keamanan perkakas listrik terus terjaga.

Petunjuk keselamatan tambahan untuk Bor

Umum

Pegang perkakas listrik pada permukaan genggam yang terinsulasi saat melakukan operasi di mana aksesori pemotongan dapat menyentuh kabel tersembunyi atau kabelnya sendiri. Aksesori pemotongan yang menyentuh kabel berarus dapat membuat bagian logam yang terpapar menjadi berarus dan dapat menyebabkan operator tersengat listrik.



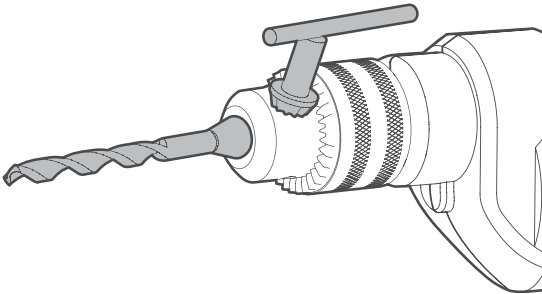
Petunjuk Pengoperasian

PERINGATAN: Baca panduan dengan cermat sebelum memulai pengoperasian

Aplikasi: Bor ini dapat digunakan untuk mengencangkan dan mengendurkan baut serta mengebor kayu, logam, dan plastik.

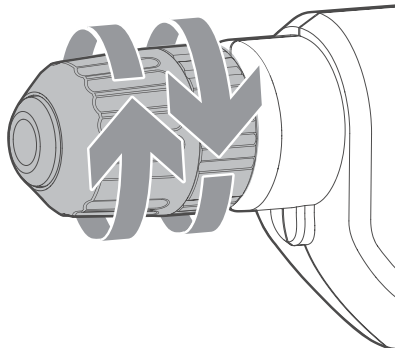
1 Masukkan alat ke dalam cekam

Masukkan alat dan kencangkan 3 lubang sama rata dengan kunci pembuka cekam. (Hanya untuk cekam dengan kunci).



2 Cekam tanpa kunci

Tahan cincin gandar belakang dari cekam tanpa kunci dan putar bagian depan sampai cekam terbuka cukup lebar agar alat dapat masuk. Masukkan alat ke dalam cekam. Tahan cincin gandar belakang dan putar bagian depan secara manual sampai dikencangkan. Saat cincin gandar depan diputar di arah yang berlawanan untuk melepas alat, mekanisme kunci dilepas secara otomatis.



3 Tombol sakelar

Tekan tombol untuk menyalakan alat dan lepaskan untuk menghentikannya.

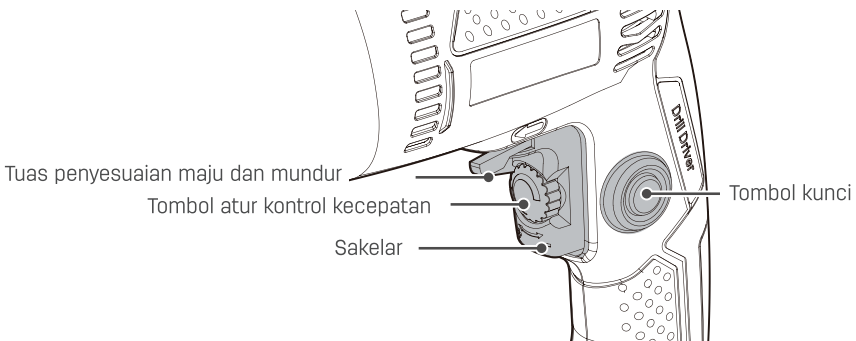
Tombol kunci aktif sakelar

Sampai menyala: Tekan tombol sakelar, lalu tekan tombol kunci aktif untuk mengunci agar bor dapat digunakan secara terus-menerus.

Mati: Cukup tekan dan lepas tombol sakelar untuk menghentikan penggunaan alat.

Tuas kemudi

Tuas kemudi perpindahan ke kiri menunjukkan rotasi depan, dan perpindahan ke kanan menunjukkan rotasi balik. Jangan ubah arah rotasi selama rotasi alat sampai alat berhenti.



4 Kontrol kecepatan variabel

Tekan tombol sakelar untuk mempercepat atau memperlambat tergantung material dan aksesoris yang akan digunakan (ini juga dapat dilakukan selama pengoperasian tanpa muatan). Kecepatan yang lebih tinggi akan menghasilkan torsi yang lebih rendah dan sebaliknya.

5 Tips untuk pengoperasian pengeboran

Jika alat listrik mengalami panas berlebih, tetapkan kecepatan hingga kecepatan maksimum dan biarkan alat menyala tetapi diam selama 2-3 menit untuk mendinginkan motor.

Selama pengeboran logam, hanya komponen pahat logam berkecepatan tinggi dengan kondisi baik yang harus digunakan.

Selama menggunakan pahat obeng pendek, pastikan untuk menggunakan selongsong bor magnetis. Lubang pemandu harus digunakan sesering mungkin sebelum mengebor lubang berdiameter lebih lebar pada material logam.

Pemeliharaan



Peringatan! Sebelum melakukan pekerjaan penggantian pada mesin, pastikan untuk mencabut colokan terlebih dahulu.

Alat listrik ini dapat mempertahankan pengoperasian normal tanpa diberikan oli pelumas atau pemeliharaan khusus. Harap lakukan proses pemeliharaan sederhana untuk bor menurut ketentuan berikut.

1. Bersihkan mesin dengan kain lap kering setelah penggunaan. Perhatian: Jangan pernah gunakan air atau larutan kimia pembersih untuk membersihkan mesin agar tidak memengaruhi kinerja penutup mesin atau menyebabkan kebocoran listrik dan kecelakaan lainnya.
2. Selalu jaga agar saluran masuk udara motor bersih dan tidak tertutupi untuk menghindari kotoran tertimbun di saluran masuk udara sehingga dapat memengaruhi pendinginan motor.
3. Untuk alat listrik dengan kelengkapan tipe Y: ada arahan bahwa, jika mengharuskan penggantian kabel suplai, penggantian harus dilakukan oleh produsen atau agennya untuk menghindari bahaya keselamatan.

Selain itu, usahakan untuk tidak menggunakan alat di lingkungan yang berdebu. Jika kabel daya rusak, kabel daya harus diganti oleh produsen, pusat pemeliharaan resmi, atau tenaga profesional setara yang memenuhi syarat untuk menghindari bahaya.

Perlindungan lingkungan



Pembuangan limbah

Terkait perlindungan lingkungan, mesin, aksesoris, dan material kemasan yang rusak harus ditata dengan baik agar dapat didaur ulang dengan mudah. Untuk memudahkan penyortiran dan daur ulang, semua komponen plastik sebaiknya ditandai dengan material.

Kartu Garansi Produk

Pengguna yang terhormat:

Terima kasih telah membeli produk kami. Agar Anda tidak rugi, pengguna yang membeli produk kami dapat menghubungi distributor setempat atau Pusat perbaikan tertentu dengan membawa kartu garansi dan faktur jika ada kegagalan produk karena ada masalah kualitas.

Pemberitahuan Garansi:

1. Mulai dari _____ (Tahun/Bulan/Hari) hingga _____ (Tahun/Bulan/Hari), jika kegagalan terjadi karena penggunaan normal, perusahaan kami akan memberikan garansi, penggantian komponen, dan layanan lain secara gratis berdasarkan situasi kegagalan.
2. Kartu garansi ini dan faktur pembelian adalah voucher layanan purnajual yang diberikan oleh perusahaan kami kepada pelanggan. Kartu ini harus berisi informasi lengkap hanya setelah mengisi formulir berikut dan mendapat stempel resmi dari distributor.
3. Pada salah satu kasus berikut, layanan garansi gratis tidak akan berlaku, dan biaya pemeliharaan akan dikenakan:
 - (1) Melewati masa kedaluwarsa.
 - (2) Kegagalan atau kerusakan disebabkan karena tidak mengikuti ketentuan dari panduan produk, pemeliharaan, atau penyimpanan yang tidak semestinya.
 - (3) Kegagalan atau kerusakan disebabkan karena pembongkaran, perbaikan, atau modifikasi produk tanpa izin dari perusahaan kami.
 - (4) Kerusakan atau malafungsi mesin yang disebabkan oleh keadaan kahar.
 - (5) Aksesoris sekali pakai.

Kartu ini diterbitkan bersama dengan produk. Satu kartu berlaku untuk satu mesin, untuk memastikan bahwa Anda dapat menikmati sepenuhnya hak atas layanan garansi gratis yang diberikan oleh perusahaan. Simpan baik-baik kartu ini. Jika hilang, kartu tidak dapat diganti.

Tanggal Pembelian: _____ (Tahun/Bulan/Hari)

Sertifikat Produk

Petugas Pemeriksa:

01

Tanggal produksi:

NINGBO DELI TOOLS CO., LTD.
No. 128 Chezhan West Road, Huangtan Town,
Ninghai County, Ningbo, Zhejiang, Cina
delitoolsglobal@nbdeli.com
www.delitoolsglobal.com
+86 574 87562689
BUATAN CINA

Dicadangkan untuk penggunaan
pada masa mendatang
Versi: 1.0

